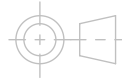


THIS DOCUMENT CONTAINS CONFIDENTIAL PROPRIETARY INFORMATION AND IS THE PROPERTY OF PYRAMIDE USA. IT SHALL NOT BE REPRODUCED, USED, TRANSFERRED TO OTHER DOCUMENTS OR DISCLOSED TO UNAUTHORIZED PERSONS WITHOUT THE EXPRESS WRITTEN PERMISSION OF PYRAMIDE USA. ALL RIGHTS OF DESIGN OR INVENTION ARE RESERVED TO PYRAMIDE USA.

THIRD ANGLE PROJECTION

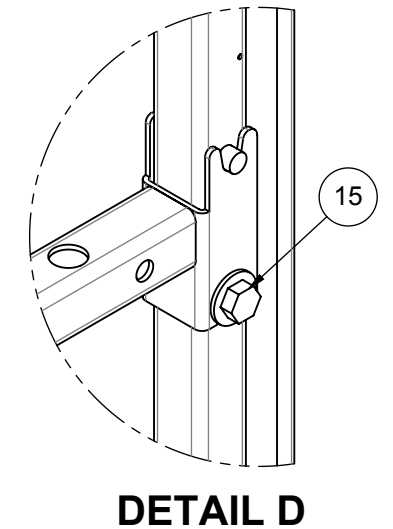
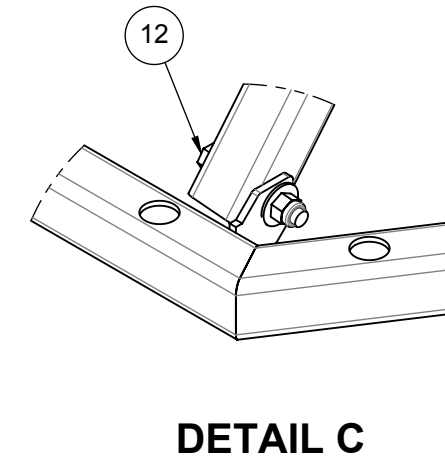
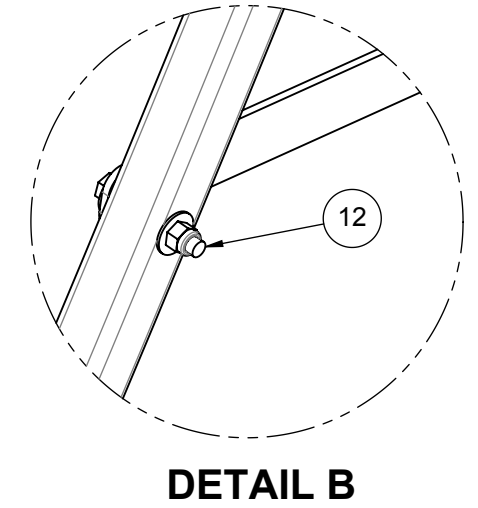
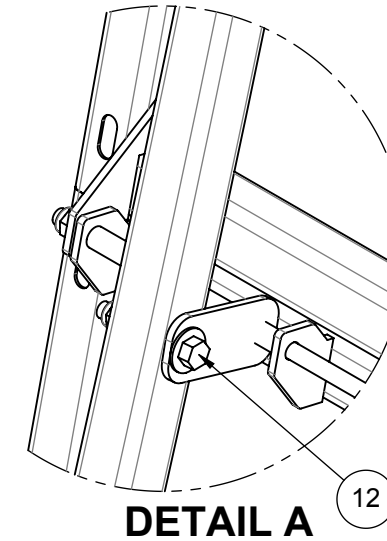
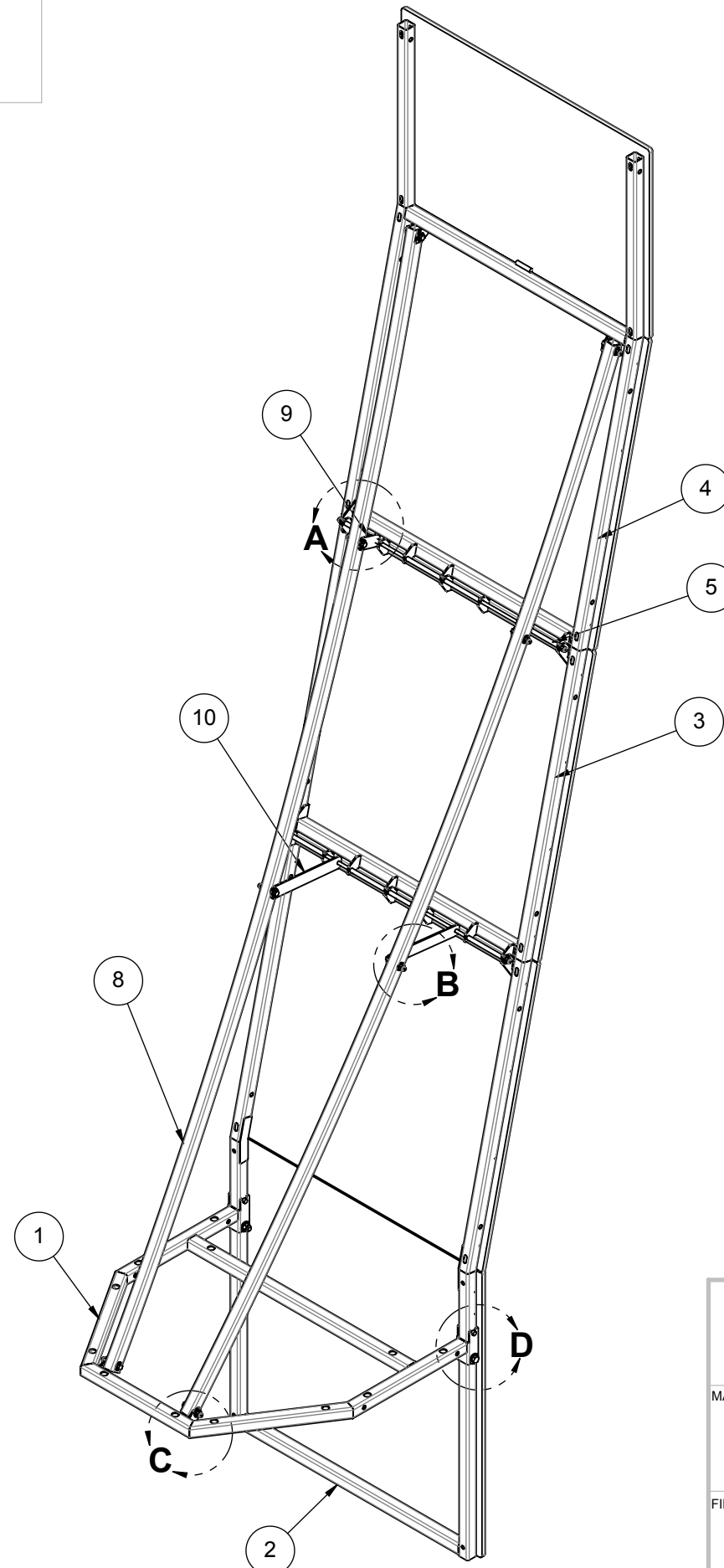
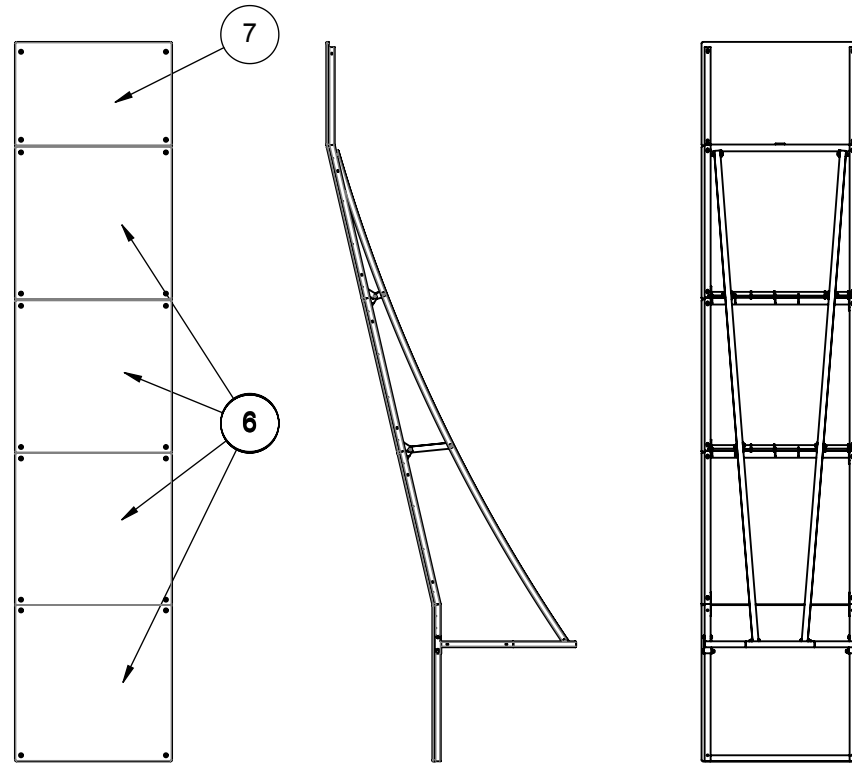
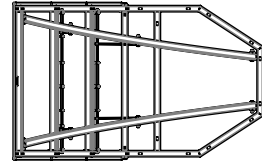


DIMENSIONS ARE IN INCHES
DO NOT SCALE DRAWING
REMOVE BURRS & BREAK
ALL SHARP EDGES.

TOLERANCES ON:
.X = ±.1 .XXX = ±.030
.XX = ±.06 ANGLES = ±0.5°

REVISIONS

REV	DESCRIPTION	DATE	CHG	CKR	ENG	APP
-	RELEASED FOR PRODUCTION					



16	2	NUT, HEX 1/2-13	-
15	2	BOLT, 1/2-13 x 2.75	-
14	4	WASHER, FLAT 1/2	-
13	12	NUT, LOCKING 3/8	-
12	8	BOLT, 3/8-16 x 2.50	-
11	18	WASHER, FLAT 3/8	-
10	2	LOWER LINK	Link, Bottom
9	2	UPPER LINK	Link, Top
8	2	CURVED BEAM, 4H	Curved Beam 4, Model
7	1	PANEL, TOP	Panel, Top
6	4	PANEL	Panel
5	2	THREADED ROD	Rod
4	1	TOP FRAME	Top Assembly
3	1	MIDDLE FRAME	Middle Frame Assembly
2	1	BOTTOM FRAME	Bottom Frame Assembly
1	1	BASE	Base
REF. DES.	QTY.	DESCRIPTION	PART NO.

AC-C-4H ASSEMBLY					
MATERIAL: NA	DWN. J. KELLEY	DATE: 03/01/10			
	CHK.	DATE:			
	ENGR.	DATE:			
FINISH: NA	APPD.	DATE:	SIZE B	CAGE CODE 0B716	DWG NO.
			SCALE: 1:48	UNIT TYPE: X	REV -
				SHEET 1 OF 1	